

# EH6

- ◆ 85°C 6000 Hours
- ◆ Super High Voltage  $\cong$  630V
- ◆ Designed For Power Supply, Middle-High Voltage Inverter
- ◆ Two Products Can Replace Of Three 400V Products In Series In 1200V DC Bus
- ◆ High Ripple Current, Long Life
- ◆ RoHS Compliant

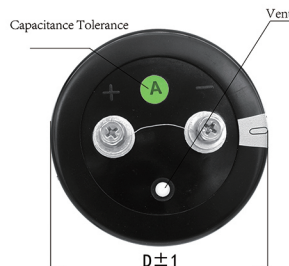
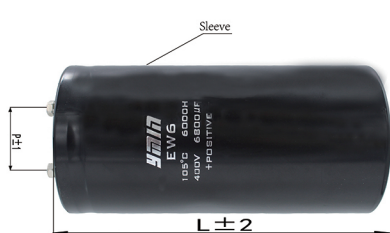


## ■ Specification

Items	Characteristics	
Temperature Range(°C)	-25°C ~ +85°C	
Voltage Range(V)	550 ~ 630V.DC	
Capacitance Range( $\mu$ F)	1000 ~ 10000 $\mu$ F ( 20°C 120Hz )	
Capacitance Tolerance	$\pm$ 20%	
Leakage Current(mA)	$\leq$ 1.5mA or $0.01\sqrt{CV}$ , 5 minutes test @20°C	
Maximum DF(20°C)	0.3 ( 20°C, 120HZ )	
Temperature Characteristics(120Hz)	$C(-25^{\circ}\text{C})/C(+20^{\circ}\text{C})\geq 0.5$	
Insulating Resistance	The value measured by applying DC 500V insulation resistance tester between all terminals and snap ring with insulating sleeve $\cong$ 100m $\Omega$ .	
Insulating Voltage	Apply AC 2000V between all terminals and snap ring with insulating sleeve for 1 minute and no abnormality appears.	
Endurance	Apply rated ripple current on capacitor with voltage not more than rated voltage under 85°C environment and apply rated voltage for 6000hours, then recover to 20°C environment and the test results should satisfy the requirements as below.	
	Capacitance change rate ( $\Delta C$ )	$\leq$ initial value $\pm$ 20%
	DF (tg $\delta$ )	$\leq$ 200% of initial specification value
	Leakage current(LC)	$\leq$ initial specification value
Shelf Life	Capacitor kept in 85°C environment for 1000 hours, then tested in 20°C environment and the test result should satisfy the requirements as below.	
	Capacitance change rate ( $\Delta C$ )	$\leq$ initial value $\pm$ 20%
	DF (tg $\delta$ )	$\leq$ 200% of initial specification value
	Leakage current(LC)	$\leq$ initial specification value

(Voltage pretreatment should be done before test: apply rated voltage on both ends of capacitor through a resistor of about 1000 $\Omega$  for 1 Hrs, then discharge electricity through 1 $\Omega$  / V resistor after pretreatment. Place under normal temperature for 24hrs after total discharging, then starts test.)

## ■ Standard Size ( Unit: mm )

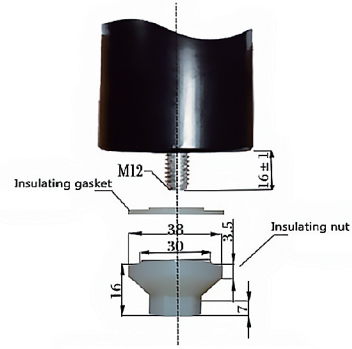
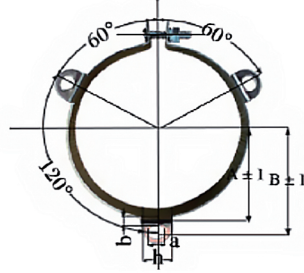


D(mm)	51	64.00	77.00	90.00	101.00
P(mm)	22	28.30	32.00	32.00	41.00
Screw	M5	M5	M5	M6	M8
Terminal Diameter(mm)	13	13	13	17	17
Torque(n.m)	2.20	2.20	2.20	3.50	7.50

■ Product Lot Number System:

■ Tail Column Components And Dimensions:

Y type snap ring(Code:Y)



Screw end pin is M12,max torque is 10N.m

Diameter(mm)	A(mm)	B(mm)	a(mm)	b(mm)	h(mm)
51	31.8	36.50	7.00	4.50	14.00
64	38.1	42.50	7.00	4.50	14.00
77	44.5	49.20	7.00	4.50	14.00
90	50.8	55.60	7.00	4.50	14.00
101	56.5	63.40	7.00	4.50	14.00

■ Ripple Current Correction Factor

① Frequency Correction Coefficient Of Rated Ripple Current

Frequency(Hz)	50Hz	120Hz	500Hz	1KHz	≥10KHz
Coefficient	0.7	1.0	1.1	1.3	1.40

② Temperature Correction Coefficient Of Rated Ripple Current

Temperature(°C)	40°C	60°C	85°C
Coefficient	1.89	1.67	1.0

# EH6

## ■ Standard Size

Rated Voltage (Surge voltage) (V)	550(600)				600(650)			
	Items Capacitance ( $\mu$ F)	Size D×L(mm)	Ripple Current (40°C, 120Hz) Arms	Ripple Current (105°C, 120Hz) Arms	ESR (Max, m $\Omega$ / 120Hz, 20°C)	Size D×L(mm)	Ripple Current (40°C, 120Hz) Arms	Ripple Current (105°C, 120Hz) Arms
1000	51×96	9.35	4.95	230.00	51×110	10.68	5.65	250.00
1200	51×105	10.87	5.75	210.00	51×130	13.38	7.08	235.00
1500	51×115	13.04	6.90	195.00	51×150	16.19	8.57	218.00
1800	51×130	14.56	7.71	168.00	64×115	19.43	10.28	190.00
2200	64×110	17.39	9.20	151.00	77×90	24.00	12.70	160.00
2700	77×100	20.43	10.81	110.00	77×105	28.20	14.92	131.00
3300	77×120	23.91	12.65	90.00	77×120	31.39	16.61	96.00
3900	77×130	27.17	14.38	67.00	77×140	36.57	19.35	70.00
3900	90×110	26.36	13.95	68.00				
4700	90×120	31.52	16.68	57.00	77×155	38.78	20.52	66.00
5600	90×150	36.08	19.09	43.00	90×155	46.95	24.84	46.00
6800	90×170	42.38	22.43	36.00	90×180	48.78	25.81	41.00
8200	90×190	46.95	24.84	31.00				
10000	101×190	54.77	28.98	29.00				

Rated Voltage (Surge voltage) (V)	630(680)			
	Items Capacitance ( $\mu$ F)	Size D×L(mm)	Ripple Current (40°C, 120Hz) Arms	Ripple Current (105°C, 120Hz) Arms
1000	64×100	8.26	4.37	270.00
1200	64×115	8.91	4.72	250.00
1500	77×100	11.08	5.87	231.00
1800	77×115	12.39	6.56	205.00
2200	77×130	14.13	7.48	165.00
2200	90×115	13.71	7.26	171.00
2700	90×130	17.39	9.20	143.00
3300	90×150	20.00	10.58	110.00
3900	90×160	22.82	12.08	85.00
4700	90×170	24.78	13.11	70.00
4700	101×150	25.08	13.27	68.30
5600	101×190	28.91	15.30	46.20