

EW6

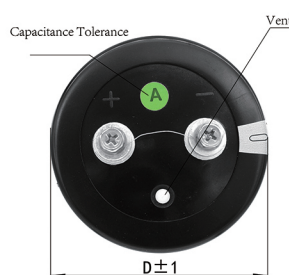
- ◆ 105°C 6000 Hours
- ◆ Designed For Inverter
- ◆ High Temperature, Long Life
- ◆ RoHS Compliant



■ Specification

Items	Characteristics	
Temperature Range(°C)	-40(-25)°C ~ +105°C	
Voltage Range(V)	350 ~ 500V.DC	
Capacitance Range(µF)	1000 ~ 22000µF (20°C 120Hz)	
Capacitance Tolerance	±20%	
Leakage Current(mA)	≤1.5mA or 0.01 \sqrt{CV} , 5 minutes test @20°C	
Maximum DF(20°C)	0.15 (20°C, 120HZ)	
Temperature Characteristics(120Hz)	350~450 C(-25°C)/C(+20°C)≥0.7 ; 500 C(-25°C)/C(+20°C)≥0.6	
Insulating Resistance	The value measured by applying DC 500V insulation resistance tester between all terminals and snap ring with insulating sleeve ≥ 100mΩ.	
Insulating Voltage	Apply AC 2000V between all terminals and snap ring with insulating sleeve for 1 minute and no abnormality appears.	
Endurance	Apply rated ripple current on capacitor with voltage not more than rated voltage under 105°C environment and apply rated voltage for 6000hours, then recover to 20°C environment and the test results should satisfy the requirements as below.	
	Capacitance change rate (ΔC)	≤initial value ±20%
	DF (tgδ)	≤200% of initial specification value
Leakage current(LC)	≤initial specification value	
Shelf Life	Capacitor kept in 105°C environment for 500 hours, then tested in 20°C environment and the test result should satisfy the requirements as below.	
	Capacitance change rate (ΔC)	≤initial value ±20%
	DF (tgδ)	≤200% of initial specification value
Leakage current(LC)	≤initial specification value	
(Voltage pretreatment should be done before test: apply rated voltage on both ends of capacitor through a resistor of about 1000Ω for 1 Hrs, then discharge electricity through 1Ω / V resistor after pretreatment. Place under normal temperature for 24hrs after total discharging, then starts test.)		

■ Standard Size (Unit: mm)

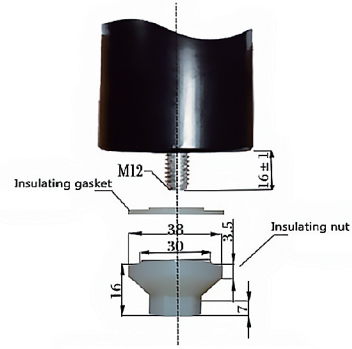
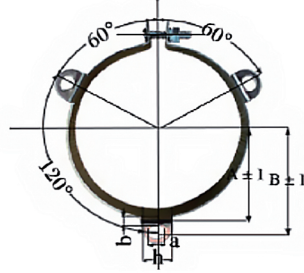


D(mm)	51	64.00	77.00	90.00	101.00
P(mm)	22	28.30	32.00	32.00	41.00
Screw	M5	M5	M5	M6	M8
Terminal Diameter(mm)	13	13	13	17	17
Torque(n.m)	2.20	2.20	2.20	3.50	7.50

■ Product Lot Number System:

■ Tail Column Components And Dimensions:

Y type snap ring(Code:Y)



Screw end pin is M12,max torque is 10N.m

Diameter(mm)	A(mm)	B(mm)	a(mm)	b(mm)	h(mm)
51	31.8	36.50	7.00	4.50	14.00
64	38.1	42.50	7.00	4.50	14.00
77	44.5	49.20	7.00	4.50	14.00
90	50.8	55.60	7.00	4.50	14.00
101	56.5	63.40	7.00	4.50	14.00

■ Ripple Current Correction Factor

① Frequency Correction Coefficient Of Rated Ripple Current

Frequency(Hz)	50Hz	120Hz	500Hz	1KHz	≥10KHz
Coefficient	0.8	1.0	1.2	1.25	1.40

② Temperature Correction Coefficient Of Rated Ripple Current

Temperature(°C)	40°C	60°C	85°C	105°C
Coefficient	2.7	2.2	1.7	1.0

EW6

■ Standard Size

Rated Voltage (Surge voltage) (V)	350(400)				400(450)			
	Items Capacitance (μ F)	Size D×L(mm)	Ripple Current (40°C, 120Hz) Arms	Ripple Current (105°C, 120Hz) Arms	ESR (Max. m Ω / 120Hz, 20°C)	Size D×L(mm)	Ripple Current (40°C, 120Hz) Arms	Ripple Current (105°C, 120Hz) Arms
1000					51×75	15.20	4.00	80.00
1200					51×80	17.86	4.70	75.00
1500					51×90	20.14	5.30	45.00
1800					51×96	24.70	6.50	40.00
2200	51×105	26.60	7.00	36.00	51×115	29.26	7.70	36.00
2700	51×130	31.92	8.40	34.00	64×96	34.20	9.00	34.00
3300	64×96	37.24	9.80	27.00	64×115	41.80	11.00	27.00
3900	64×115	43.70	11.50	24.00	64×130	47.12	12.40	24.00
4700	64×130	49.40	13.00	20.00	77×115	55.10	14.50	20.00
5600	77×115	55.86	14.70	17.00	77×130	61.56	16.20	17.00
6800	77×130	63.84	16.80	11.00	77×155	69.54	18.30	11.00
8200	77×155	74.48	19.60	9.00	77×170	79.80	21.00	9.00
10000	90×130	87.40	23.00	8.00	90×155	93.10	24.50	8.00
12000	90×155	95.00	25.00	6.00	90×170	104.88	27.60	6.00
15000	90×190	117.04	30.80	5.00	90×210	121.60	32.00	5.00
18000	90×235	144.40	38.00	4.00				
22000	101×235	167.20	44.00	3.50				

Rated Voltage (Surge voltage) (V)	450(500)				500(550)			
	Items Capacitance (μ F)	Size D×L(mm)	Ripple Current (40°C, 120Hz) Arms	Ripple Current (105°C, 120Hz) Arms	ESR (Max. m Ω / 120Hz, 20°C)	Size D×L(mm)	Ripple Current (40°C, 120Hz) Arms	Ripple Current (105°C, 120Hz) Arms
1000	51×80	15.20	4.00	80.00	51×105	17.10	4.50	90.00
1200	51×96	18.24	4.80	75.00				
1500	51×105	20.14	5.30	45.00	51×130	24.32	6.40	50.00
1800	51×130	24.70	6.50	40.00				
2200	64×96	28.88	7.60	36.00	64×130	30.40	8.00	40.00
2700	64×115	33.82	8.90	34.00				
3300	64×130	41.80	11.00	27.00	77×130	45.60	12.00	31.00
3900	77×115	47.50	12.50	24.00	77×155	49.40	13.00	27.00
4700	77×130	55.10	14.50	20.00	77×170	58.90	15.50	22.00
5600	77×150	61.56	16.20	17.00	77×190	64.60	17.00	18.50
6800	90×155	68.40	18.00	11.00	90×170	72.20	19.00	12.30
8200	90×170	79.80	21.00	9.00	90×210	83.60	22.00	9.20
10000	90×190	93.10	24.50	8.00	90×235	102.60	27.00	8.80
12000	90×235	104.50	27.50	6.00				